

Sandall Road
Wisbech
PE13 2PS UK

Tel: +44 (0)1945 47 47 47
Fax: +44 (0)1945 47 48 49

5th May 2017

Dear Customer,

Anglia have been advised by the manufacturer Taicom that the tooling for the series listed below has been updated with immediate effect, this is due to the old tooling being beyond its serviceable life.

Taicom advise they have also taken this opportunity to revise the mouldings to improve the efficiency and yield of the production process. The revised parts have some minor dimensional and cosmetic appearance changes which do not impact the form, fit or function of the parts. Attached below are the old and new data sheets for comparison purposes.

Series affected by this notification
TBH1xxAGN

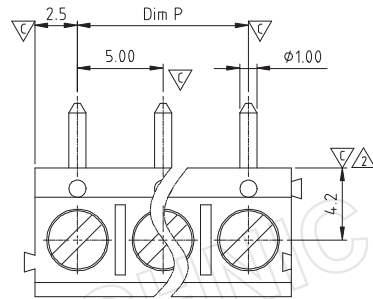
Anglia operates a strict F.I.F.O system in our Distribution Centre therefore it may take some time for this change to filter through to customer deliveries.

Please ensure this information is circulated to the relevant persons within your organisation.

Yours Sincerely
Anglia

SIGN	DATE	DESCRIPTION	APPROVER
△	5/8'10	Add the tolerance table	Tason
△	5/8'10	Add the dimensions	Tason
△	03/14'14	Add the "TUV"	Guoxue
△	03/14'14	Update the drawing	Guoxue

THIS IS CAD DRAWING, DO NOT REVISE MANUALLY!!!

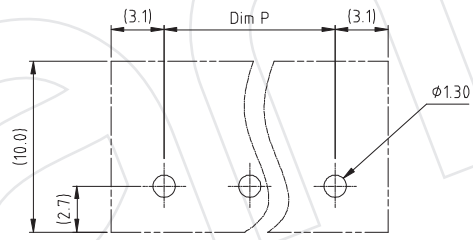
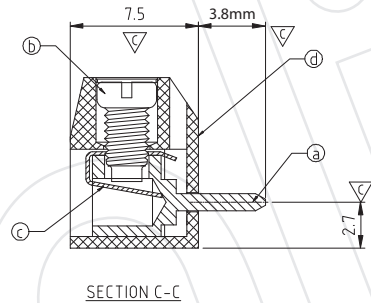
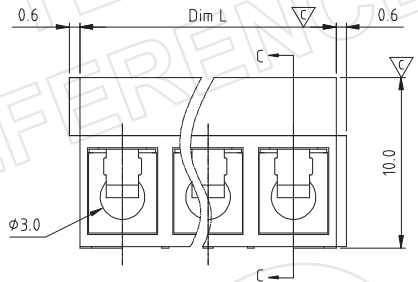


DIMENSION

Dim L	N×5.0
Dim P	(N-1)×5.0

N=Number of poles

Poles	DIM P	DIM L
2p-6p	±0.15	±0.20
7p-12p	±0.20	±0.25
13p-18p	±0.25	±0.35
19p-24p	±0.35	±0.40



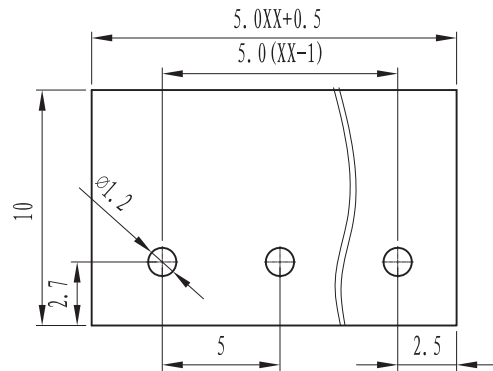
- Material**
- Item ③ Terminal body(metal housing): Brass(CuZn),Tin plated
 - Item ④ Terminal screw: Steel Zinc plating
 - Item ⑤ Wire guard :stainless steel
 - Item ⑥ Insulator (housing): Thermoplastic (UL94V-0)
- △ Electrical cULus / TUV
- Voltage rating: 250V/130V
 - Current rating: 16A/17.5A
 - Wire range: 0.5~1.5mm²
 - Solid wire(AWG): 14
 - Stranded wire(AWG): 16
 - Torque(Lb-In): 2.6 / 2.6
 - Screw: M2.6
 - Wire strip length: 5-6mm
 - Withstanding Voltage: 1.5KV/1.25KV
 - Operating temperature: -40°C to +115°C
 - △ ● Soldering temperature: 260°C±5°C/5 Sec
 - △ ● Safety Approval: cULus TUV
 - Critical dimension: ∇

Issue	Revision Details

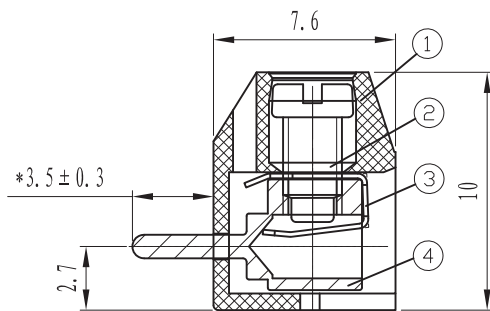
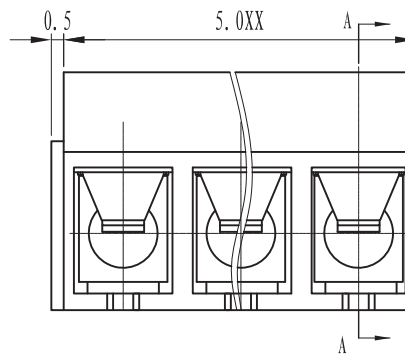
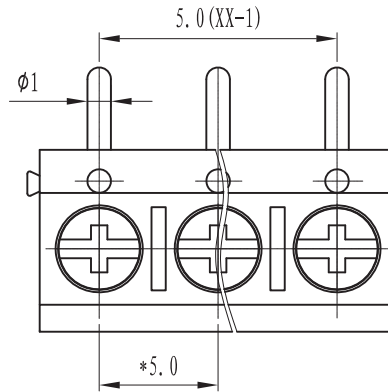
Product(s) MUST comply with the requirements of the RoHS Directive 2002/95/EC.

all dimensions in mm

 Sandall Road, Wisbech PE13 2PS, U.K. www.anglia.com info@anglia.com	Title: 5.00mm Solid Block Type Series 2P - 24P	Issue: 1	Issue Date: 29/1/16	Prev Issue:
	Part No. : TBH1xxAGN	Scale: NTS		Angle:
	Manufacturer: TAICOM	Tol:	.x = ±0.50 x.x = ±0.30 x.xx = ±0.10	Page: 1 of 1



P.C.B. LAYOUT



SECTION A-A

SPECIFICATION

Current Rating : 16A AC/DC
 Voltage Rating : 250V AC/DC
 Operation Temperature : -40°C to +120°C
 Contact Resistance : 20mΩ max.
 Insulation Resistance : 500MΩ Min.
 Withstand Voltage : 2000V AC/minute
 Wire range : 22 ~ 14 AWG
 Max Soldering : +250°C for 5 Sec

Dimensions

Pitch : 5.0mm
 Poles : 2-24p

Mechanical

Torque (Max.): 0.4Nm
 Strip Length: 4.5 - 5mm

Material

Housing : PA66, UL94V-0
 Screws : M2.5 Steel, Zn plated
 Pin Header : Brass Tin plated
 Cage: Phosphor bronze, Ni plated

RoHS Compliant

		linear dimension(Tolerances Standard GB/T 14486-2008)										≡	—	□	//	⊥
variable range	to 6	over 6 to 10	over 10 to 18	over 18 to 30	over 30 to 50	over 50 to 80	over 80 to 120	over 120 to 160	over 160 to 200	over 200 to 250	all	to 5	over 5 to 30	over 30 to 120	over 120 to	
	tolerance	±0.1	±0.14	±0.19	±0.25	±0.32	±0.43	±0.57	±0.72	±0.88	±1.05	±1.25	0.5	0.025	0.06	0.12

Taicom TBH1xxAGN

Title : Horizontal, 5mm Pitch, Wireguard

Tolerance (Unless Specified) :

Dim : (mm)

Angle :